

INVERTER

E2 Series





INVERTER

E2 Series

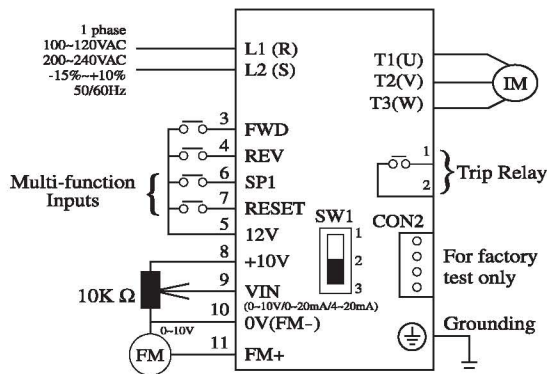


Feature

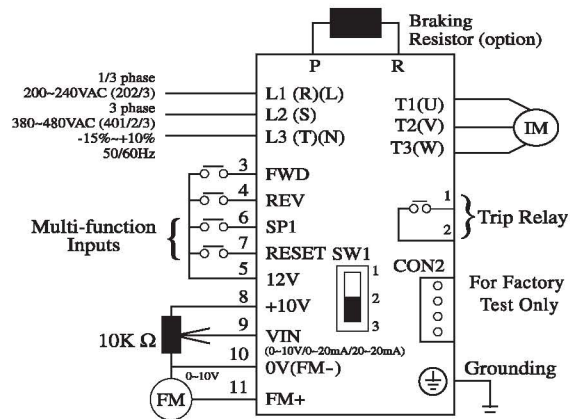
- Easy for Operation
- Cost efficiency
- EMI Filter Built-in
- 16kHz Carrier Freq.
- DIN Rail mounting option
- IP20, IP65(NEMA4) Enclosure

Interconnection

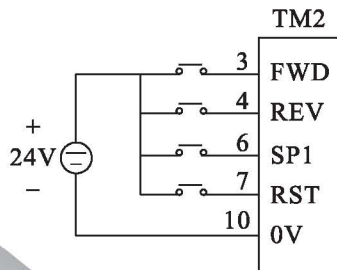
JNE2-1P2/1P5/101/2P2/2P5/201 Inverter



JNE2-202/203/401/402/403 Inverter



External DC24V wiring diagram



Ordering numbers

JNE2	2	P5	H	1	F	N4
Series	Input Voltage	Capacity	Specification	Phase of input power	Filter option	Enclosure
	2 : 200VAC 4 : 400VAC 1 : 120VAC* *(Subject to demand)	P2 : 0.25HP P5 : 0.5HP O1 : 1Hp O2 : 2Hp O3 : 3Hp	H : Advanced type (CPU Version 1.9 or above)	Blank : 1/3 phase 1 : 1 phase 3 : 3 phase	Blank : without filter F : with filter	Blank : IP20 N4 : IP65 (NEMA4) Without switch N4S : IP65 (NEMA4) With switch

Specification

Model JNE2-□□□-xxxx	1P2	1P5	101	2P2	2P5	201	202	203	401	402	403	
Rated Motor Power kW	0.2	0.4	0.75	0.2	0.4	0.75	1.5	2.2	0.75	1.5	2.2	
Rated Motor HP	1/4	1/2	1	1/4	1/2	1	2	3	1	2	3	
Rated Output Current A	1.4	2.3	4.2	1.4	2.3	4.2	7.5	10.5	2.3	3.8	5.2	
Rated Capacity kVA	0.53	0.88	1.6	0.53	0.88	1.6	2.9	4	1.7	2.9	4	
Input Voltage	1 ϕ 100-120V (-15%~+10%), 50/60Hz(+/-5%)			1 ϕ 200-240V (-15% ~ +10%), 50/60Hz (+/-5%)			1/3 ϕ 200-240V (-15% ~ +10%), 50/60Hz (+/-5%)		3 ϕ 380-480V (-15% ~ +10%), 50/60Hz (+/-5%)			
Output Voltage	3 ϕ 0-240V								3 ϕ 0-480V			
Input Signal Type	PNP type (SOURCE) input (External DC24V allowed)											
Control Method	Sinusoidal wave PWM control											
Frequency Control	Freq. Range	1~200 Hz										
	Resolution	Digital :0.1 Hz (1~99.9Hz); 1Hz (100~200Hz), Analog : 1Hz/60Hz										
	Keypad Setting	Directly adjusted by ▲▼ buttons										
	Display	Three digital LED display frequency / inverter parameter / fault record / program version										
	External Signal Setting	0~10V, 4~20mA, 0~20mA										
	Other Function	Frequency upper and lower limit										
General Control	Carrier Frequency	4~16kHz										
	Accel/Decel Time	0.1~ 999 Sec										
	V/F Pattern	6 Patterns										
	Torque Control	Torque boost level adjustable										
	Multi-function Input	2 points for multi-speed 1(Sp1) /2(Sp2) /Jog / Emergency stop / External bb / Reset										
	Multi-function Output	1a Relay for Fault / Running / Frequency agreed function										
	Braking Torque	20%						20% ~ 100% ,braking transistor built in				
	Other Function	Decelerate or coast to stop, Auto reset, DC braking frequency / Voltage / Time setting										
Protection Function	Instantaneous over Current	Approx 200% rated current										
	Overload	150% for 1min.										
	Over Voltage	DC voltage > 410V							DC voltage > 800V			
	Under Voltage	DC voltage < 200V							DC voltage < 400V			
	Momentary Power Loss	0 ~ 2 sec, restart by speed search										
	Stall Prevention	Accelerate / Decelerate / Constant speed										
	Output Short Circuit	Electronic protection										
	Ground Fault	Electronic protection										
	Other Function	Heatsink overheat protection , Current limit										
Enclosure	IP20 / IP65 (NEMA4)											
Operating Temperature	-10 ~ 50°C											
Humidity	0~95% RH non-condensing											
Vibration	Under 1 G (9.8 m/s ²)											
UL	UL508C											
CE	EN50081-1, EN50082-2, EN50178											
Installation	Mounting screw or DIN rail (Option)											

Dimension & Weight

Inverter Capacity	Enclosure IP20(mm)					Weight(Kg)	
	W	H	D	W1	H1	With Filter	Without Filter
JNE2-1P2	72	132	118	61	116	NA	0.76
JNE2-1P5						NA	0.77
JNE2-101						NA	0.84
JNE2-2P2						0.86	0.77
JNE2-2P5						0.87	0.78
JNE2-201						0.91	0.82
JNE2-202						2.1	1.95
JNE2-203	118	143	172	108	127.5	2.2	2.05
JNE2-401						1.6	1.38
JNE2-402						1.62	1.4
JNE2-403						1.68	1.46

Inverter Capacity	IP65(NEMA4)without Switch (mm)					Weight(Kg)	IP65(NEMA4)with Switch(mm)					Weight(Kg)
	W	H	D	W1	H1	W/O Filter	W	H	D	W1	H1	With Filter
JNE2-1P2	133.57	204.82	161.29	117.23	188.96	3.1	133.57	204.82	173.38	117.23	188.96	3.3
JNE2-1P5						3.1						3.3
JNE2-101						3.1						3.3
JNE2-2P2						3.2						3.4
JNE2-2P5						3.2						3.4
JNE2-201						3.2						3.4
JNE2-202						6.0						6.1
JNE2-203	232	295	180.5	210	274.5	6.1	232	295	211.4	210	274.5	6.2
JNE2-401						5.7						5.8
JNE2-402						5.9						6.0
JNE2-403						6.0						6.1

Peripherals

EMI Filter

Model	Rated	Invverwe model	Enclosure IP20(mm)					Weight(Kg)
			W	H	D	W1	H1	
JNE2F-2102	1Ø220~250V/10A	JNE2-1P2/1P5/101 JNE2-2P2/2P5/201	76	156	25	60	145	0.42
JNE2F-2202	1Ø220~250V/20A	JNE2-202/203	120	172	38	106	158	1.12
JNE2F-4103	3Ø380~460V/10A	JNE2-401/402/403	120	172	38	106	158	1.12

Braking Resistor

Inverter Model	Resistor Model	Specification		
		W	Ω	%ED
JNE2-202	JNBRN2-202	150	100	10
JNE2-203	JNBRN2-203	200	70	9
JNE2-401	JNBRN2-401	60	750	8
JNE2-402	JNBRN2-402	150	400	10
JNE2-403	JNBRN2-403	200	250	8

DIN RAIL KIT:DINE2-201(for all IP20 models)