

LVED IE2 Aluminium Motors

Drawings and Performance Data



CONTENTS:

DOCUMENT NO.	DESCRIPTION	PAGES	ISSUE/DATE
32057R9209 (pages 1/4 & 2/4)	Performance Data (400V 50Hz)	2	Rev. 01 (9-Mar-11)
32057R9209 (pages 3/4 & 4/4)	Performance Data (460V 60Hz)	2	Rev. 01 (9-Mar-11)
32057R9210	Outline Dimensions B3 (63-160L)	2	Rev. 01 (9-Mar-11)
32057R9211	Outline Dimensions B5 (63-160L)	2	Rev. 01 (9-Mar-11)
32057R9212	Schematic Drawing B3 (63-160L)	3	Rev. 01 (9-Mar-11)
32057R9213	Schematic Drawing B5 (63-160L)	3	Rev. 01 (9-Mar-11)



ISSUED 14-Jan-11	PERFORMANCE DATA	MODEL AEAV2E/AEGV2E
REVISED 9-Mar-11		PAGE

TEFC, CLASS F, 40°C AMBIENT TEMP.
IEC DESIGN N CONTINUOUS DUTY
400V 50HZ

TYPICAL PERFORMANCE (400 V)

OUTPUT		FULL LOAD rpm	FRAME NO.	EFFICIENCY				POWER FACTOR				CURRENT		TORQUE				ROTOR GD ² kg-m ²
hp	kW			FULL LOAD (%)	3/4 LOAD (%)	2/4 LOAD (%)	1/4 LOAD (%)	FULL LOAD (%)	3/4 LOAD (%)	2/4 LOAD (%)	1/4 LOAD (%)	FULL LOAD (A)	LOCKED ROTOR (A)	FULL LOAD kg-m	LOCKED ROTOR %FLT	PULL UP %FLT	BREAK DOWN %FLT	
(*) 0.25	0.18	2775	63M	67.4	67.4	60.4	48.0	78.5	68.5	55.0	38.0	0.49	2.2	0.063	190	170	200	0.001
		1375	63M	65.0	63.8	58.2	43.6	74.5	63.5	49.5	34.5	0.54	2.1	0.127	200	180	200	0.002
		935	71M	62.5	60.0	52.4	38.5	66.0	56.0	44.5	32.0	0.63	2.3	0.187	180	165	205	0.006
		690	80M	55.0	51.5	43.5	29.5	55.0	47.0	38.5	28.0	0.86	3.4	0.254	165	155	200	0.008
(*) 0.33	0.25	2785	63M	69.9	70.0	65.7	49.0	79.0	69.5	56.0	39.0	0.65	2.9	0.087	195	170	205	0.001
		1380	71M	69.5	70.1	66.2	51.8	77.0	66.5	52.0	34.5	0.67	2.8	0.176	200	175	200	0.003
		935	71M	65.0	63.0	55.5	38.5	65.5	55.5	44.0	31.0	0.85	3.1	0.260	200	180	220	0.007
(*) 0.5	0.37	2790	71M	71.0	71.0	66.7	52.5	81.0	70.5	55.0	36.0	0.93	4.5	0.129	190	170	220	0.001
		1385	71M	69.5	69.9	66.3	52.2	75.0	64.5	50.0	33.0	1.02	4.3	0.260	205	180	205	0.003
		920	80M	65.5	64.5	59.0	42.3	65.5	57.0	45.5	30.0	1.24	4.5	0.391	175	155	200	0.007
(*) 0.75	0.55	2780	71M	75.5	76.2	73.3	59.0	83.0	74.5	59.0	38.5	1.27	6.7	0.193	190	170	220	0.002
		1435	80M	78.1	78.1	75.2	63.6	76.0	68.5	56.0	37.0	1.34	8.8	0.373	255	220	280	0.010
		920	80M	74.0	74.6	72.2	61.1	65.5	57.0	45.5	30.0	1.64	6.7	0.582	185	165	210	0.013
1	0.75	2815	80M	77.4	78.6	77.4	66.2	86.0	79.0	66.5	43.5	1.63	10	0.259	310	270	300	0.003
		1430	80M	79.6	79.6	76.1	67.1	77.5	71.0	59.0	38.0	1.75	11	0.510	245	215	270	0.012
		935	90S	75.9	76.4	74.3	62.5	68.5	60.0	47.0	29.5	2.08	11	0.780	225	225	240	0.017
1.5	1.1	2820	80M	79.6	80.8	80.0	73.1	86.0	80.0	67.5	46.0	2.32	16	0.380	335	295	325	0.004
		1435	90S	81.4	81.4	79.2	71.4	80.0	71.5	58.0	37.0	2.44	17	0.746	265	230	305	0.014
		935	90L	78.1	78.6	76.4	64.8	67.0	58.5	45.5	28.5	3.03	16	1.145	230	225	250	0.023
2	1.5	2865	90S	81.3	82.0	80.9	73.9	85.5	80.0	69.0	45.5	3.11	24	0.509	310	290	330	0.006
		1430	90L	82.8	83.2	81.9	74.6	80.0	72.0	59.0	40.0	3.27	23	1.021	275	235	315	0.018
		945	100L	79.8	81.4	80.9	71.0	74.5	67.5	54.5	36.5	3.64	21	1.544	220	190	225	0.046
3	2.2	2860	90L	83.2	84.0	83.2	77.1	87.0	82.0	72.0	50.5	4.39	33	0.748	305	275	320	0.008
		1435	100L	84.3	86.3	86.5	81.0	81.5	77.0	64.0	42.5	4.62	32	1.492	280	255	285	0.039
		955	112M	81.8	81.9	79.8	70.8	74.5	67.5	55.5	35.5	5.21	31	2.241	200	185	260	0.086
4	3	2880	100L	84.6	85.5	84.8	78.3	84.5	78.5	66.0	44.5	6.06	45	1.014	305	255	335	0.016
		1430	100L	85.5	86.5	86.7	80.8	78.5	72.5	59.5	41.5	6.45	42	2.041	270	250	275	0.044
		965	132S	83.3	83.4	81.6	73.6	81.0	74.5	62.0	40.5	6.42	44	3.025	235	205	300	0.171
5.5	4	2905	112M	85.8	86.3	85.3	78.9	86.5	83.0	74.5	55.0	7.78	60	1.340	195	180	285	0.033
		1440	112M	86.6	87.0	87.0	81.4	83.5	78.5	68.0	47.0	7.98	63	2.703	285	230	285	0.065
		965	132M	84.6	84.7	83.2	75.6	80.5	74.0	61.5	40.5	8.48	61	4.033	235	205	300	0.214
7.5	5.5	2930	132S	87.0	87.0	85.6	79.4	80.5	75.0	64.0	42.0	11.3	80	1.826	265	245	305	0.054
		1450	132S	87.7	88.2	86.9	81.0	84.0	78.5	67.0	46.0	10.8	80	3.691	255	215	295	0.145
		970	132M	86.0	86.1	84.5	77.8	80.5	73.5	61.0	39.5	11.5	84	5.517	230	205	300	0.271
		715	160M	84.5	84.0	82.5	74.0	71.0	63.0	51.0	31.0	13.2	70	7.485	165	160	240	0.343

APPD.	Chiwen CHEN	14-Jan-11	TECO Electric & Machinery Co., Ltd. Wuxi, China	DWG NO.
CHKD.	Chiwen CHEN	14-Jan-11		32057R9209
DWN.	X.L.ZH	14-Jan-11		REV. 01 1/4



ISSUED 14-Jan-11	PERFORMANCE DATA 3-PHASE SQUIRREL CAGE HIGH EFFICIENCY (IE2) INDUCTION MOTORS	MODEL AEAV2E/AEGV2E
REVISED 9-Mar-11		PAGE

TEFC, CLASS F, 40°C AMBIENT TEMP.
IEC DESIGN N CONTINUOUS DUTY
400V 50HZ

TYPICAL PERFORMANCE (400 V)

OUTPUT		FULL LOAD rpm	FRAME NO.	EFFICIENCY				POWER FACTOR				CURRENT		TORQUE				ROTOR GD ² kg-m ²
hp	kW			FULL LOAD (%)	3/4 LOAD (%)	2/4 LOAD (%)	1/4 LOAD (%)	FULL LOAD (%)	3/4 LOAD (%)	2/4 LOAD (%)	1/4 LOAD (%)	FULL LOAD (A)	LOCKED ROTOR (A)	FULL LOAD kg-m	LOCKED ROTOR %FLT	PULL UP %FLT	BREAK DOWN %FLT	
10	7.5	2920	132S	88.1	88.4	87.5	80.9	78.5	73.0	62.0	41.0	15.7	110	2.499	280	250	300	0.065
		1455	132M	88.7	88.8	88.0	83.1	84.0	78.5	67.5	46.5	14.5	109	5.015	265	215	300	0.176
		960	160M	88.0	89.5	89.5	85.0	77.5	71.0	59.0	37.5	15.9	105	7.602	245	195	250	0.363
		720	160L	86.0	86.0	84.0	76.0	70.0	61.0	49.0	30.0	18.0	105	10.14	190	180	270	0.586
15	11	2950	160M	89.5	90.5	90.0	85.5	89.0	86.0	77.0	57.0	19.9	165	3.628	230	180	305	0.154
		1465	160M	90.0	90.5	90.0	86.0	86.0	82.0	73.0	52.0	20.5	160	7.306	200	150	240	0.296
		965	160L	90.0	91.0	90.5	87.5	77.0	70.5	58.5	38.5	22.9	170	11.09	270	205	270	0.558
20	15	2950	160M	90.5	91.5	91.0	87.5	90.0	86.0	78.0	58.0	26.6	225	4.947	245	195	315	0.192
		1465	160L	91.0	91.5	91.0	88.0	86.5	82.5	73.5	53.5	27.5	220	9.962	220	155	255	0.427
25	18.5	2945	160L	91.0	92.0	92.0	88.5	91.0	91.0	85.5	71.0	32.2	290	6.112	260	185	310	0.237

- NOTE :
- The above are typical values based on test according to IEC 60034-2-1.
 - Tolerance according to IEC 60034-1.
 - Efficiency, power factor, speed and torque are the same for other voltages.
Current values vary inversely with voltage.
 - (*) and 8 Pole : Efficiency per TECO performance standard.
 - Data subject to change without notice.

APPD.	Chiwen CHEN	14-Jan-11	TECO Electric & Machinery Co., Ltd. Wuxi, China	DWG NO.	32057R9209
CHKD.	Chiwen CHEN	14-Jan-11		REV. 01	
DWN.	X.L.ZH	14-Jan-11		2/4	



ISSUED 14-Jan-11	PERFORMANCE DATA	MODEL AEAV2E/AEGV2E
REVISED 9-Mar-11		PAGE

TEFC, CLASS F, 40°C AMBIENT TEMP.
IEC DESIGN N CONTINUOUS DUTY
50HZ 400V WINDING USED ON 60HZ 460V

TYPICAL PERFORMANCE (460 V)

OUTPUT		FULL LOAD rpm	FRAME NO.	EFFICIENCY				POWER FACTOR				CURRENT		TORQUE				ROTOR GD ² kg-m ²
hp	kW			FULL LOAD (%)	3/4 LOAD (%)	2/4 LOAD (%)	1/4 LOAD (%)	FULL LOAD (%)	3/4 LOAD (%)	2/4 LOAD (%)	1/4 LOAD (%)	FULL LOAD (A)	LOCKED ROTOR (A)	FULL LOAD kg-m	LOCKED ROTOR %FLT	PULL UP %FLT	BREAK DOWN %FLT	
(*) 0.25	0.18	3390	63M	69.0	67.3	61.3	49.2	73.0	64.0	51.0	35.5	0.45	2.4	0.052	240	200	240	0.001
		1700	63M	69.0	66.3	60.2	45.7	67.0	56.0	44.0	30.0	0.49	2.2	0.103	230	220	255	0.002
		1145	71M	63.5	59.9	54.1	40.5	59.5	49.5	39.5	28.0	0.60	2.4	0.153	220	210	265	0.006
		850	80M	56.5	53.0	44.5	27.0	47.5	40.5	32.5	24.0	0.84	2.6	0.206	200	200	245	0.008
(*) 0.33	0.25	3400	63M	70.0	69.0	63.8	49.2	76.0	66.5	53.5	37.0	0.59	3.2	0.072	235	195	235	0.001
		1705	71M	72.5	71.2	66.5	52.6	69.5	59.5	46.5	30.5	0.62	3.0	0.143	215	205	250	0.003
		1145	71M	65.0	61.4	56.1	40.4	60.0	50.0	40.0	27.5	0.80	3.3	0.212	230	220	275	0.007
		850	80M	59.5	56.0	48.0	30.0	47.5	40.5	32.5	24.0	1.11	3.4	0.286	200	200	245	0.010
(*) 0.5	0.37	3440	71M	75.0	73.7	68.7	55.2	75.5	65.0	51.0	34.0	0.82	4.8	0.105	225	220	340	0.001
		1705	71M	74.0	72.8	68.4	54.7	68.5	58.5	45.5	30.0	0.92	4.5	0.211	220	215	260	0.003
		1135	80M	67.5	65.0	58.6	42.0	56.5	48.0	38.5	26.5	1.22	4.8	0.317	220	210	245	0.007
		855	90S	68.5	66.0	59.0	42.0	58.0	50.0	40.0	27.5	1.17	4.9	0.421	200	200	255	0.016
(*) 0.75	0.55	3440	71M	79.0	78.8	75.4	63.6	83.5	74.0	59.5	39.0	1.05	6.9	0.156	220	215	335	0.002
		1745	80M	81.2	80.2	76.8	65.6	72.0	64.0	52.0	33.5	1.18	9.0	0.307	310	285	340	0.010
		1135	80M	78.7	78.5	75.3	63.6	61.0	52.5	41.0	25.5	1.44	6.8	0.471	210	200	235	0.013
		855	90L	69.0	67.5	61.0	43.5	56.0	48.0	38.0	26.0	1.79	7.2	0.626	205	200	250	0.019
1	0.75	3465	80M	80.7	80.3	77.5	68.0	82.0	75.0	62.5	43.0	1.42	12	0.211	330	310	355	0.003
		1745	80M	82.5	81.7	78.6	67.8	73.5	66.0	54.0	35.0	1.55	11	0.418	295	270	325	0.012
		1145	90S	80.0	79.7	76.5	64.6	66.5	58.0	45.0	28.0	1.77	10	0.637	240	240	290	0.017
		860	100L	74.0	73.5	70.5	56.0	57.0	48.5	38.0	24.0	2.23	10	0.849	230	200	230	0.034
1.5	1.1	3465	80M	82.5	82.5	80.4	72.0	84.0	77.5	65.5	45.0	1.99	18	0.309	350	330	375	0.004
		1745	90S	84.0 ^(*)	83.8	81.7	73.0	78.0	69.5	55.5	34.5	2.11	18	0.613	330	270	385	0.014
		1145	90L	82.5 ^(*)	82.5	80.2	71.0	63.0	54.0	41.5	25.5	2.66	15	0.935	255	255	300	0.023
		860	100L	77.0	77.0	74.0	61.0	58.5	50.0	39.0	24.0	3.06	15	1.245	230	200	230	0.049
2	1.5	3490	90S	84.0	83.8	81.6	73.0	84.0	78.0	66.5	45.5	2.67	25	0.418	310	295	340	0.006
		1745	90L	84.0 ^(*)	84.0	82.2	75.0	80.0	72.0	58.5	37.0	2.80	24	0.836	330	270	385	0.018
		1155	100L	82.5 ^(*)	83.0	81.5	72.0	70.5	63.0	51.0	31.5	3.24	20	1.264	265	225	265	0.046
		855	112M	80.0	80.0	76.0	64.0	62.0	52.5	40.0	24.5	3.80	18	1.707	210	195	260	0.058
3	2.2	3480	90L	85.5	85.5	84.2	78.0	87.5	83.0	73.5	52.0	3.69	35	0.615	300	285	330	0.008
		1745	100L	87.5 ^(*)	88.0	87.0	80.6	80.5	74.5	63.5	41.0	3.92	35	1.227	315	265	320	0.039
		1160	112M	85.5 ^(*)	84.8	81.8	71.6	73.0	65.0	52.0	33.0	4.42	34	1.845	245	210	330	0.086
		880	132S	82.5	82.5	80.0	69.5	70.0	61.0	48.0	30.0	4.78	35	2.433	225	185	330	0.135
4	3	3495	100L	87.5	87.5	86.0	79.0	84.0	78.0	66.5	44.5	5.12	48	0.835	290	250	330	0.016
		1740	100L	87.5	88.2	87.3	81.2	79.0	73.5	62.5	40.0	5.45	44	1.678	310	260	315	0.044
		1175	132S	87.5	87.0	84.5	75.8	76.5	69.0	56.0	36.0	5.63	48	2.484	250	220	320	0.171
		885	132M	83.5	83.5	81.0	71.5	70.0	62.0	48.5	30.0	6.44	46	3.298	225	185	330	0.178
5.5	4	3515	112M	87.5	87.5	85.8	79.0	86.5	82.5	74.0	55.0	6.63	62	1.107	245	210	345	0.033
		1750	112M	87.5	88.2	87.3	82.0	81.5	75.5	63.5	42.5	7.04	65	2.224	320	270	340	0.065
		1175	132M	87.5	87.0	84.7	76.7	77.0	69.5	57.0	37.0	7.45	65	3.312	250	220	320	0.214
		870	160M	85.0	84.5	82.0	72.5	69.0	60.0	47.0	30.0	8.56	55	4.474	190	180	265	0.343
7.5	5.5	3535	132S	88.5	88.0	85.5	77.0	76.5	70.5	60.0	39.5	10.2	79	1.514	300	245	310	0.054
		1760	132S	89.5	89.3	87.5	80.5	82.5	76.5	65.0	43.0	9.35	80	3.041	290	240	340	0.145
		1175	132M	89.5	89.0	86.8	79.0	77.0	69.5	56.5	36.0	10.0	90	4.554	250	220	320	0.271
		870	160M	84.5	84.5	82.0	72.0	67.0	58.0	45.0	29.0	12.2	70	6.151	195	185	260	0.343

APPD.	Chiwen CHEN	14-Jan-11	TECO Electric & Machinery Co., Ltd. Wuxi, China	DWG NO.	32057R9209
CHKD.	Chiwen CHEN	14-Jan-11		REV. 01	3/4
DWN.	X.L.ZH	14-Jan-11			



ISSUED 14-Jan-11	PERFORMANCE DATA	MODEL AEAV2E/AEGV2E
REVISED 9-Mar-11		PAGE

TEFC, CLASS F, 40°C AMBIENT TEMP.
IEC DESIGN N CONTINUOUS DUTY
50HZ 400V WINDING USED ON 60HZ 460V

TYPICAL PERFORMANCE (460 V)

OUTPUT		FULL LOAD rpm	FRAME NO.	EFFICIENCY				POWER FACTOR				CURRENT		TORQUE				ROTOR GD ² kg-m ²
hp	kW			FULL LOAD (%)	3/4 LOAD (%)	2/4 LOAD (%)	1/4 LOAD (%)	FULL LOAD (%)	3/4 LOAD (%)	2/4 LOAD (%)	1/4 LOAD (%)	FULL LOAD (A)	LOCKED ROTOR (A)	FULL LOAD kg-m	LOCKED ROTOR %FLT	PULL UP %FLT	BREAK DOWN %FLT	
10	7.5	3530	132S	89.5	89.2	87.5	79.3	76.0	70.0	59.5	36.0	13.8	110	2.067	300	245	310	0.065
		1760	132M	89.5	89.5	87.8	81.7	82.5	76.5	65.5	43.5	12.7	108	4.146	300	250	360	0.176
		1165	160M	90.2	91.0	90.5	86.0	76.0	69.0	57.0	35.0	13.7	105	6.264	285	250	290	0.363
		870	160L	86.5	86.0	83.5	74.5	66.5	58.0	44.0	29.0	16.4	100	8.388	220	210	290	0.586
15	11	3550	160M	90.2	90.5	89.0	82.0	89.0	86.0	78.0	59.5	17.2	165	3.015	295	220	365	0.154
		1770	160M	91.0	91.0	90.5	86.0	85.0	81.0	70.5	48.5	17.8	160	6.047	225	160	275	0.296
		1170	160L	90.5	91.5	90.5	86.0	75.0	68.5	56.0	51.0	20.3	165	9.148	315	250	315	0.558
20	15	3555	160M	90.2	90.5	89.5	84.0	89.5	87.0	78.5	60.0	23.3	225	4.105	310	220	350	0.192
		1770	160L	91.5	92.0	92.0	88.0	85.5	81.0	71.0	48.5	24.1	225	8.246	250	175	295	0.427
25	18.5	3545	160L	91.7	92.0	91.5	87.5	91.0	90.0	86.0	71.0	27.8	270	5.078	275	185	305	0.237

- NOTE :
- The above are typical values based on test according to IEC 60034-2-1.
 - Tolerance according to IEC 60034-1.
 - Efficiency, power factor, speed and torque are the same for other voltages.
Current values vary inversely with voltage.
 - (*) and 8 Pole : Efficiency per TECO performance standard.
 - Data subject to change without notice.

APPD.	Chiwen CHEN	14-Jan-11	TECO Electric & Machinery Co., Ltd. Wuxi, China	DWG NO.	32057R9209
CHKD.	Chiwen CHEN	14-Jan-11		REV. 01	
DWN.	X.L.ZH	14-Jan-11		4/4	

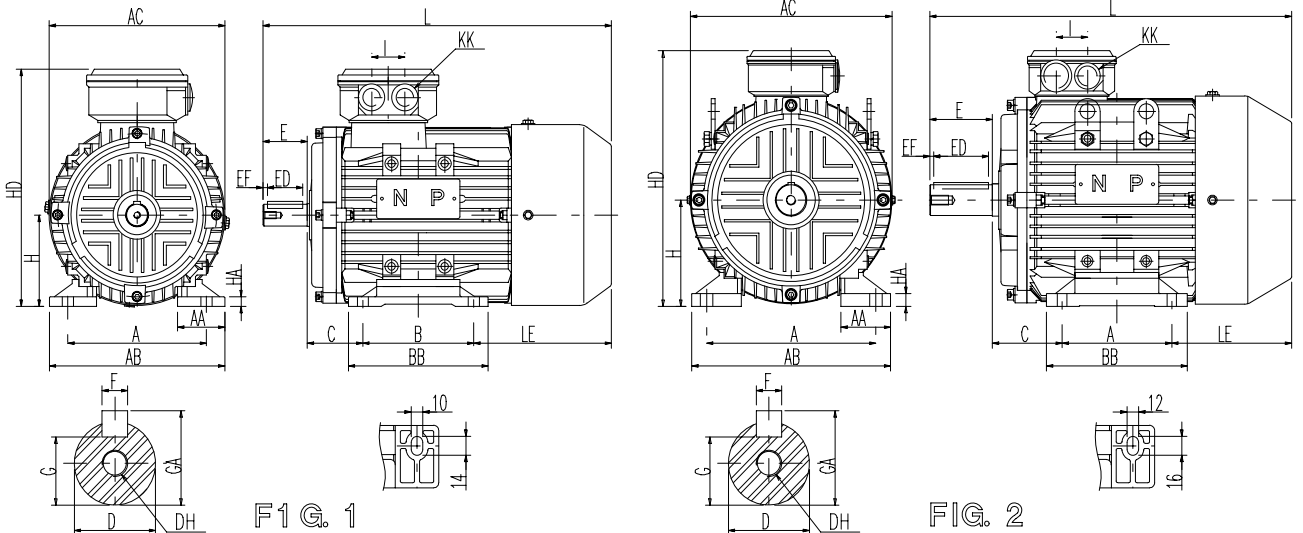
ISSUED
14-Jan-11
REVISED
9-Mar-11

OUTLINE DIMENSIONS SHEET

3-PHASE INDUCTION MOTORS B3 (IM1001) FRAME NOS. 63M ~ 132M

MODEL
AEAV2E
PAGE

Totally Enclosed Fan - Cooled Type, Squirrel - Cage Rotor.



Dimensions in mm

Output (kW)				FRAME SIZE	FIG. NO.	A	AA	AB	AC	B	BB	C	H	HA	HD	KK	I				
2P	4P	6P	8P																		
0.18	0.12	—	—	63M	1	100	35.5	125	120	80	105	40	63	9	171	2-M16X1.5	28				
0.25	0.18	—	—	71M		112	36.5	136	136	90	116	45	71	9	187						
0.37	0.25	0.18	—	80M		125	42.5	158	159	100	126	50	80	9	208						
0.75	0.55	0.55	0.18	90S		2	140	49	175	176	100	133	56	90	11	228	2-M25X1.5	38			
1.1	0.75	—	0.25	90L							125	155									
1.5	1.1	0.75	0.37	100L							160	52	196	198	140	174			63	100	12
2.2	1.5	1.1	0.55	112M	190						59	225	220	140	177	70			112	14	277
3	2.2	1.5	0.75	132S	2	216	63.5	254	258	140	180	89	132	16	317	M25X1.5 + M32X1.5	40				
—	—	—	1.1							100L	178							224			
—	—	—	1.5							112M	—	—	—	—	—			—	—	—	—
—	—	—	2.2	132S	—	—	—	—	—	—	—	—	—	—	—	—	—				
—	—	—	3	132M	—	—	—	—	—	—	—	—	—	—	—	—	—				
—	—	—	3	132M	—	—	—	—	—	—	—	—	—	—	—	—	—				

FRAME SIZE	L	LE	SHAFT EXTENSION								BEARING	
			D	E	ED	EF	F	G	GA	DH	DRIVE END	OPPOSITE DRIVE END
63M	220.5	77.5	11	23	16	4	4	8.5	12.5	M4X8	6201ZZC3	6201ZZC3
71M	245	80	14	30	22	4	5	11	16	M5X10	6202ZZC3	6202ZZC3
80M	314	124	19	40	32	4	6	15.5	21.5	M6X12	6204ZZC3	6204ZZC3
90S	343	137	24	50	40	5	8	20	27	M8X16	6205ZZC3	6205ZZC3
90L	368										6205ZZC3	6205ZZC3
100L	404	141	28	60	50	5	8	24	31	M10X20	6206ZZC3	6305ZZC3
112M	415	145									6306ZZC3	6306ZZC3
132S	462	153	38	80	70	5	10	33	41	M12X24	6308ZZC3	6308ZZC3
132M	500										6308ZZC3	6308ZZC3

Note : 1. Tolerance of Shaft End Diameter D : 1) F#63M~112M : j6 .
2) F#132 : k6 .
2. Tolerance of Shaft Center Height H : +0, -0.5 .

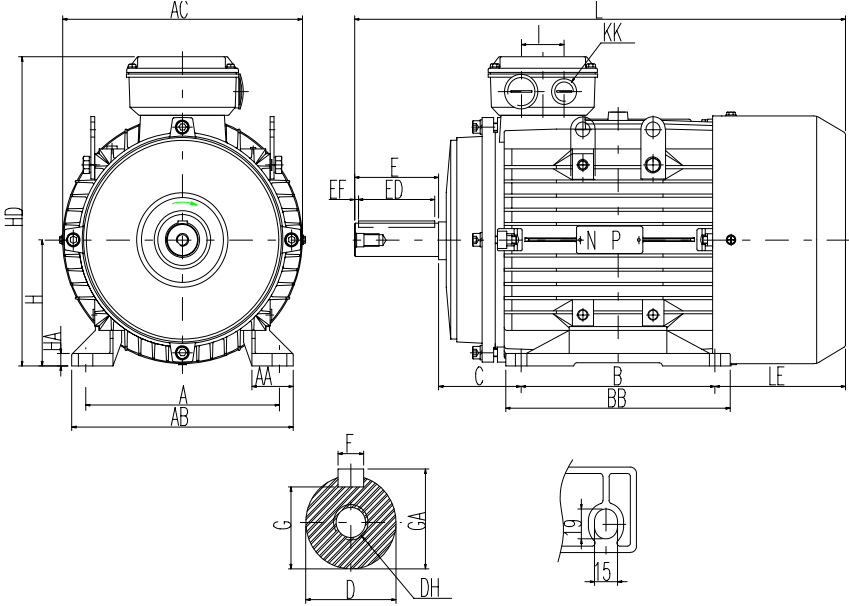
APPD.	H.C.YAN	14-Jan-11
CHKD.	SHITOU	11-Jan-11
DWN.	MIN K.L.	11-Jan-11

TECO Electric & Machinery Co., Ltd.
Wuxi, China

DWG NO.
32057R9210
REV. 01

ISSUED 9-Mar-11	OUTLINE DIMENSIONS SHEET	MODEL AEAV2E
REVISED 9-Mar-11		3-PHASE INDUCTION MOTORS B3 (IM1001) FRAME NOS. 160

Totally Enclosed Fan - Cooled Type, Squirrel - Cage Rotor.



Dimensions in mm

Output (kW)				FRAME SIZE	A	AA	AB	AC	B	BB	C	H	HA	HD	KK	I
2P	4P	6P	8P													
11	11	7.5	4	160M	254	54	290	314	210	294	108	160	16	392	M40X1.5 + M25X1.5	56
15	—	—	5.5						254							
18.5	15	11	7.5	160L												

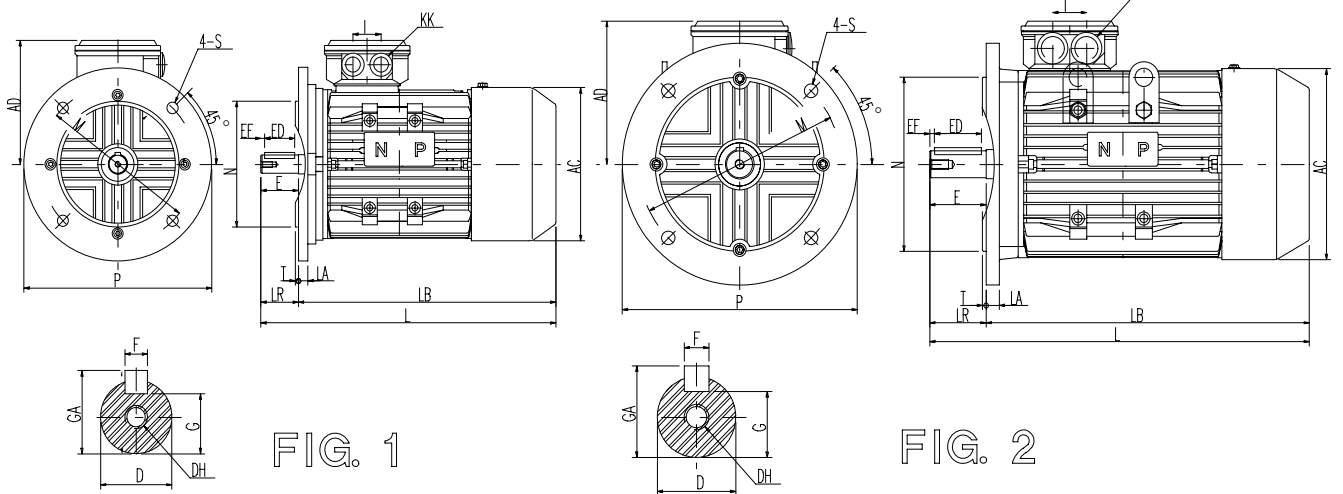
FRAME SIZE	L	LE	SHAFT EXTENSION								BEARING	
			D	E	ED	EF	F	G	GA	DH	DRIVE END	OPPOSITE DRIVE END
160M	643	171	42	110	100	5	12	37	45	M16X32	6309ZZC3	6309ZZC3
160L											6309ZZC3	6309ZZC3

Note : 1. Tolerance of Shaft End Diameter D : k6 .
2. Tolerance of Shaft Center Height H : +0, -0.5 .

APPD.	H.C.YAN	9-Mar-11	TECO Electric & Machinery Co., Ltd.	DWG NO.
CHKD.	SHITOU	9-Mar-11		32057R9210
DWN.	MIN K.L.	9-Mar-11		REV. 01
Wuxi, China				2/2

ISSUED 14-Jan-11 REVISED 9-Mar-11	<h1 style="margin: 0;">OUTLINE DIMENSIONS SHEET</h1> <h2 style="margin: 0;">3-PHASE INDUCTION MOTORS</h2> <h3 style="margin: 0;">B5 (IM3001) FRAME NOS. 63M ~ 132M</h3>	MODEL <b style="color: red;">AEGV2E PAGE
--	---	--

Totally Enclosed Fan - Cooled Type, Squirrel - Cage Rotor.



Dimensions in mm

Output (kW)				FRAME SIZE	FIG. NO.	AC	AD	KK	LA	LB	LR	M	N	P	S	T	I
2P	4P	6P	8P														
0.18	0.12	—	—	63M	1	120	108	2-M16X1.5	9	197.5	23	115	95	140	φ 10	3	28
0.25	0.18	—	—	71M		136	116		10	215	30	130	110	160			
0.37	0.25	0.18	—	80M		159	129		10	274	40	165	130	200	φ 12	3.5	
0.55	0.37	0.25	—	90S		176	139	2-M25X1.5	11	293	50	165	130	200			
0.75	0.55	0.55	0.18	90L					318								
1.1	0.75	—	0.25	100L		2	198	149	2-M25X1.5	14	344	60	215	180	250	φ 14.5	
1.5	1.1	0.75	0.37	112M	220					167	14	355	60	215	180		250
2.2	1.5	1.1	0.55	132S	258		186	M25X1.5 + M32X1.5	15.5	382	80	265	230	300			
3	2.2	1.5	0.75	132M						420							
—	—	—	—														

FRAME SIZE	L	SHAFT EXTENSION								BEARING	
		D	E	ED	EF	F	G	GA	DH	DRIVE END	OPPOSITE DRIVE END
63M	220.5	11	23	16	4	4	8.5	12.5	M4X8	6201ZZC3	6201ZZC3
71M	245	14	30	22	4	5	11	16	M5X10	6202ZZC3	6202ZZC3
80M	314	19	40	32	4	6	15.5	21.5	M6X12	6204ZZC3	6204ZZC3
90S	343	24	50	40	5	8	20	27	M8X16	6205ZZC3	6205ZZC3
90L	368									6205ZZC3	6205ZZC3
100L	404	28	60	50	5	8	24	31	M10X20	6206ZZC3	6305ZZc3
112M	415									6306ZZC3	6306ZZC3
132S	462	38	80	70	5	10	33	41	M12X24	6308ZZC3	6308ZZC3
132M	500									6308ZZC3	6308ZZC3

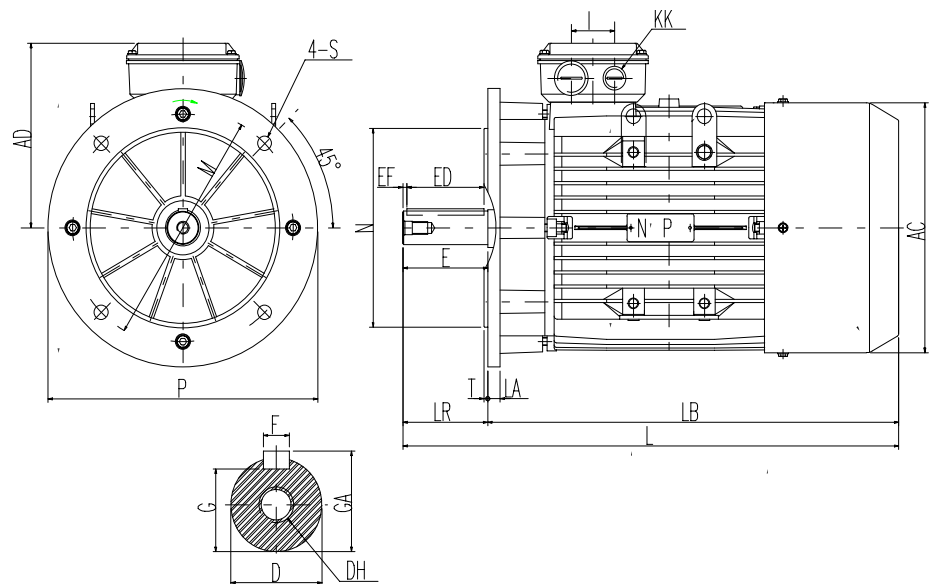
Note : 1. Tolerance of Shaft End Diameter D : 1) F#63M~112M : j6 .
2) F#132 : k6 .

2. Tolerance of N : j6 .

APPD.	H.C.YAN	14-Jan-11	TECO Electric & Machinery Co., Ltd. Wuxi, China	DWG NO.	32057R9211 REV. 01
CHKD.	SHITOU	11-Jan-11			
DWN.	MIN K.L.	11-Jan-11			

ISSUED 9-Mar-11	OUTLINE DIMENSIONS SHEET	MODEL AEGV2E
REVISED 9-Mar-11		PAGE

Totally Enclosed Fan - Cooled Type, Squirrel - Cage Rotor.



Dimensions in mm

Output (kW)				FRAME SIZE	AC	AD	KK	LA	LB	LR	M	N	P	S	T	I
2P	4P	6P	8P													
11	11	7.5	4	160M	314	232	M40X1.5 + M25X1.5	16	533	110	300	250	350	18.5	5	56
15	—	—	5.5													
18.5	15	11	7.5	160L												

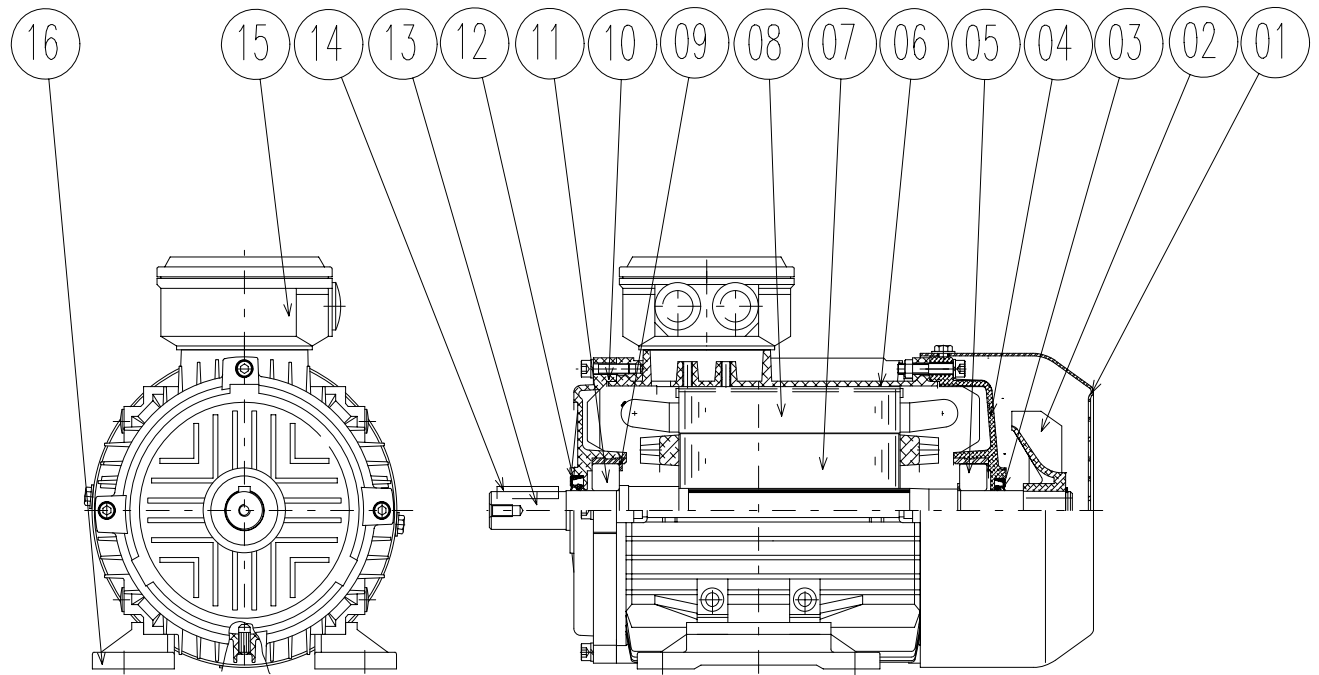
FRAME SIZE	L	SHAFT EXTENSION								BEARING	
		D	E	ED	EF	F	G	GA	DH	DRIVE END	OPPOSITE DRIVE END
160M	643	42	110	100	5	12	37	45	M16X32	6309ZZC3	6309ZZC3
160L										6309ZZC3	6309ZZC3

Note : 1. Tolerance of Shaft End Diameter D : k6 .
2. Tolerance of Shaft Center Height H : +0, -0.5 .

APPD.	H.C.YAN	9-Mar-11	TECO Electric & Machinery Co., Ltd. Wuxi, China	DWG NO.
CHKD.	SHITOU	9-Mar-11		32057R9211
DWN.	MIN K.L.	9-Mar-11		REV. 01

ISSUED 14-Jan-11	SCHEMATIC DRAWING	MODEL AEAV2E
REVISED 9-Mar-11		3-PHASE INDUCTION MOTORS B3 (IM 1001) FRAME NOS. 63M ~ 90L

Totally Enclosed Fan - Cooled Type, Squirrel - Cage Rotor.

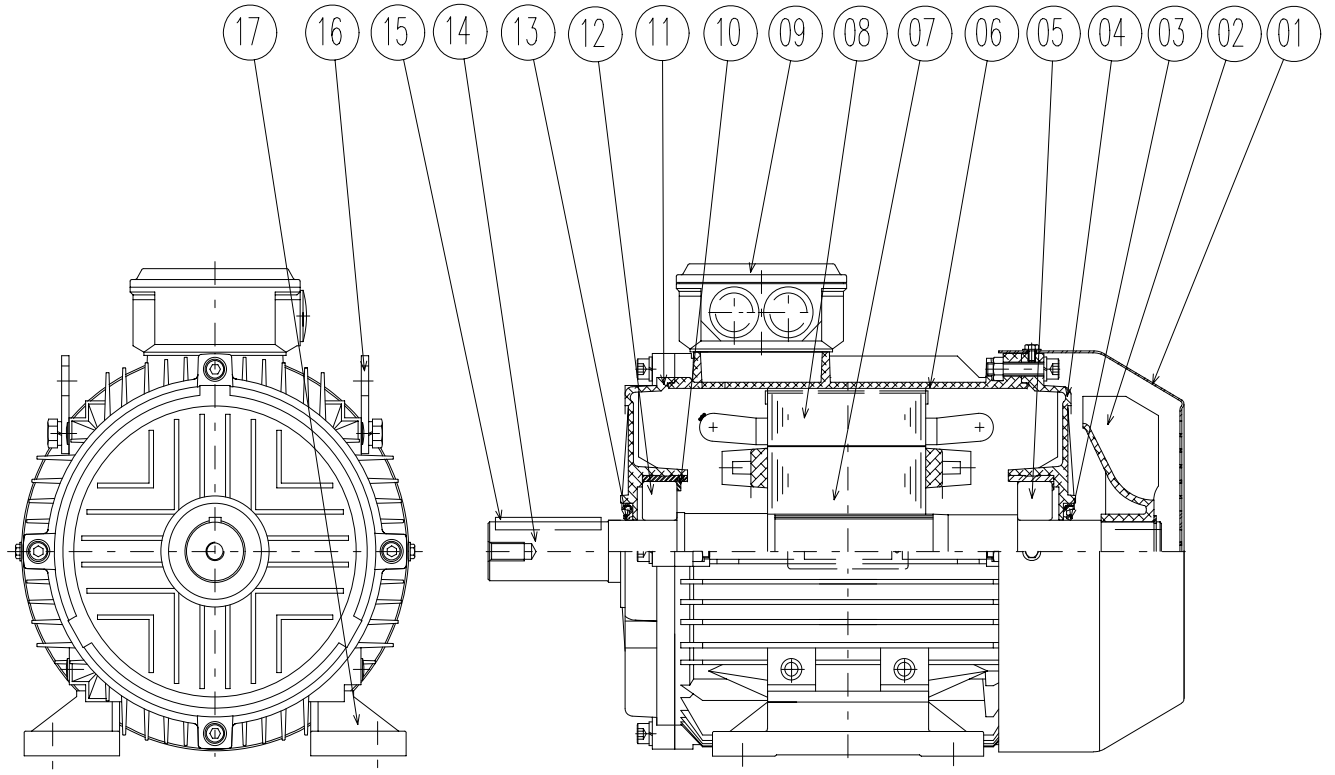


ITEM	NAME	ITEM	NAME
1	FAN COVER	9	INNER RETAINING RING
2	EXTERNAL FAN	10	END BRACKET
3	OIL SEAL	11	BEARING
4	END BRACKET	12	OIL SEAL
5	BEARING	13	SHAFT
6	FRAME	14	KEY
7	ROTOR	15	TERMINAL BOX
8	STATOR	16	FOOT BASE

APPD.	H.C.YAN	14-Jan-11	TECO Electric & Machinery Co., Ltd. Wuxi, China	DWG NO.	32057R9212
CHKD.	SHITOU	11-Jan-11		REV. 01	
DWN.	LIU SONG	11-Jan-11		1/3	

ISSUED 14-Jan-11	SCHEMATIC DRAWING	MODEL AEAV2E
REVISED 9-Mar-11		3-PHASE INDUCTION MOTORS B3 (IM 1001) FRAME NOS. 100L - 132M

Totally Enclosed Fan - Cooled Type, Squirrel - Cage Rotor.

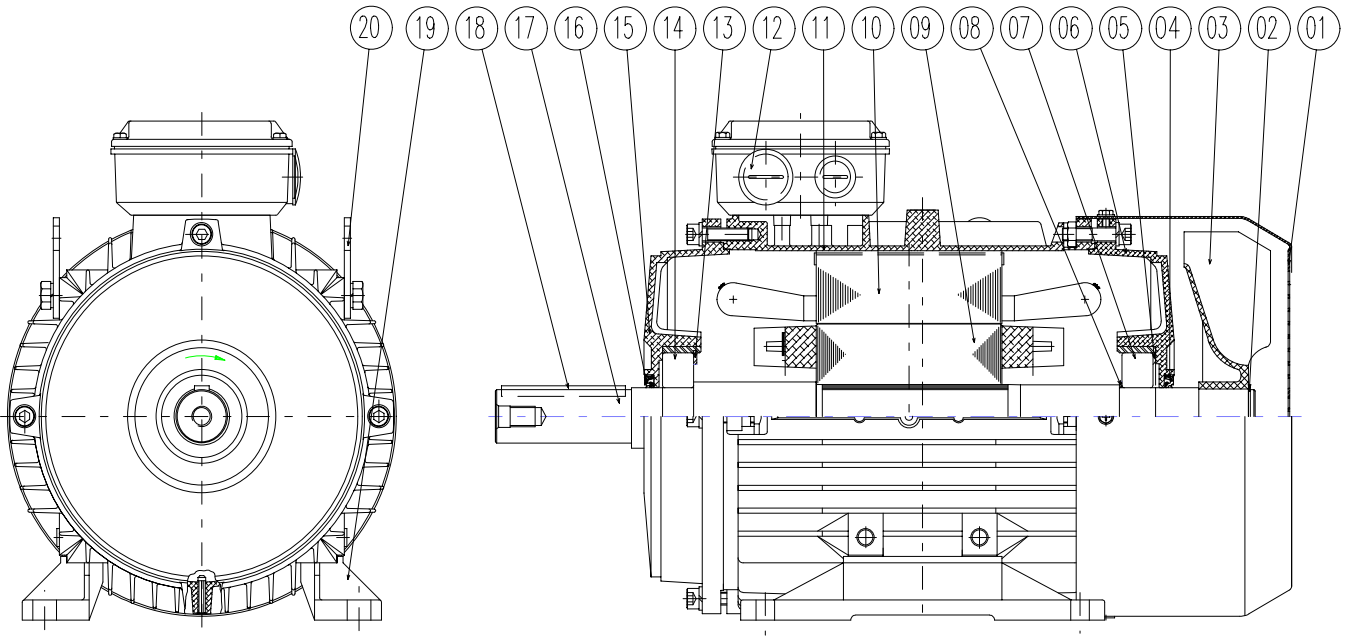


ITEM	NAME	ITEM	NAME
1	FAN COVER	10	INNER RETAINING RING
2	EXTERNAL FAN	11	END BRACKET
3	OIL SEAL	12	BEARING
4	END BRACKET	13	OIL SEAL
5	BEARING	14	SHAFT
6	FRAME	15	KEY
7	ROTOR	16	HOOK
8	STATOR	17	FOOT BASE
9	TERMINAL BOX	18	

APPD.	H.C.YAN	14-Jan-11	TECO Electric & Machinery Co., Ltd. Wuxi, China	DWG NO.	32057R9212
CHKD.	SHITOU	11-Jan-11		REV. 01	
DWN.	LIU SONG	11-Jan-11		2/3	

ISSUED 9-Mar-11	SCHEMATIC DRAWING	MODEL AEAV2E
REVISED 9-Mar-11		3-PHASE INDUCTION MOTORS B3 (IM 1001) FRAME NOS. 160

Totally Enclosed Fan - Cooled Type, Squirrel - Cage Rotor.

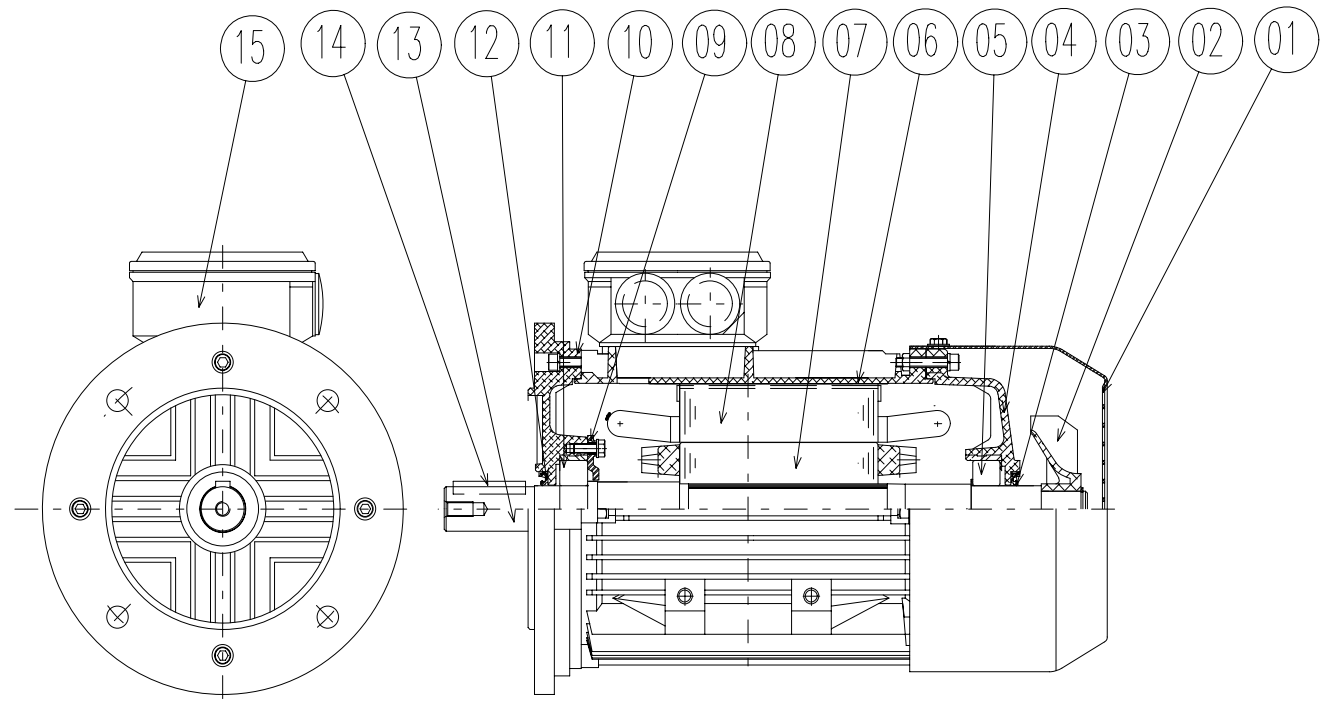


ITEM	NAME	ITEM	NAME
1	FAN COVER	11	FRAME ASSY
2	OUTSIDE RETAINING RING	12	TERMINAL BOX ASSY
3	EXTERNAL FAN	13	INSIDE RETAINING RING
4	OIL SEAL	14	BEARING
5	PRE-LOAD SPRING	15	BRACKET
6	BRACKET	16	OIL SEAL
7	BEARING	17	SHAFT
8	STOP RING-BEARING	18	KEY
9	ROTOR	19	FOOT BASE
10	STATOR	20	HOOK

APPD.	H.C.YAN	9-Mar-11	TECO Electric & Machinery Co., Ltd. Wuxi, China	DWG NO.	32057R9212
CHKD.	SHITOU	9-Mar-11		REV. 01	
DWN.	MIN K.L.	9-Mar-11			

ISSUED 14-Jan-11	SCHEMATIC DRAWING	MODEL AEGV2E
REVISED 9-Mar-11		3-PHASE INDUCTION MOTORS B5 (IM 3001) FRAME NOS. 63M ~ 90L

Totally Enclosed Fan - Cooled Type, Squirrel - Cage Rotor.

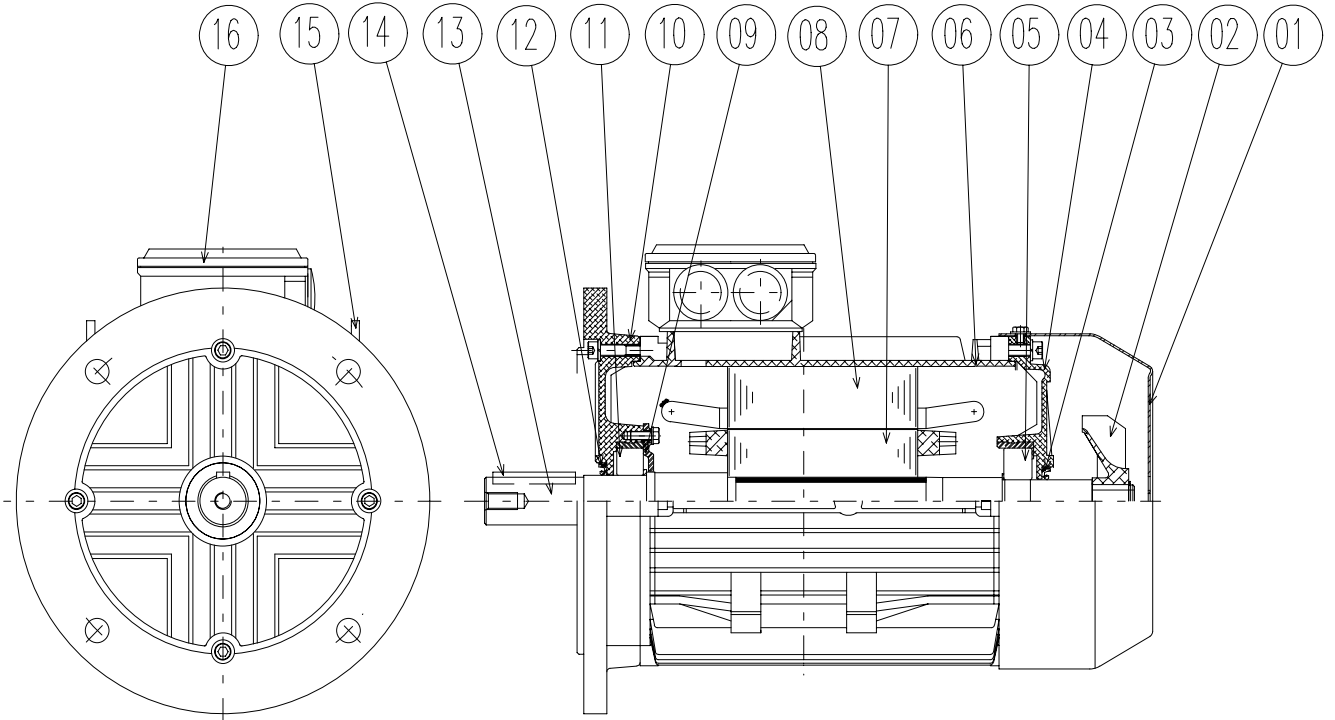


ITEM	NAME	ITEM	NAME
1	FAN COVER	9	BEARING COVER-INNER
2	EXTERNAL FAN	10	FLANGE
3	OIL SEAL	11	BEARING
4	END BRACKET	12	OIL SEAL
5	BEARING	13	SHAFT
6	FRAME	14	KEY
7	ROTOR	15	TERMINAL BOX
8	STATOR		

APPD.	H.C.YAN	14-Jan-11	TECO Electric & Machinery Co., Ltd. Wuxi, China	DWG NO.	32057R9213
CHKD.	SHITOU	11-Jan-11		REV. 01	
DWN.	LIU SONG	11-Jan-11		1/3	

ISSUED 14-Jan-11	SCHEMATIC DRAWING	MODEL AEGV2E
REVISED 9-Mar-11		3-PHASE INDUCTION MOTORS B5 (IM 3001) FRAME NOS. 100L ~ 132M

Totally Enclosed Fan - Cooled Type, Squirrel - Cage Rotor.



ITEM	NAME	ITEM	NAME
1	FAN COVER	9	BEARING COVER-INNER
2	EXTERNAL FAN	10	FLANGE
3	OIL SEAL	11	BEARING
4	END BRACKET	12	OIL SEAL
5	BEARING	13	SHAFT
6	FRAME	14	KEY
7	ROTOR	15	HOOK
8	STATOR	16	TERMINAL BOX

APPD.	H.C.YAN	14-Jan-11	TECO Electric & Machinery Co., Ltd. Wuxi, China	DWG NO.	32057R9213
CHKD.	SHITOU	11-Jan-11		REV. 01	
DWN.	LIU SONG	11-Jan-11		2/3	

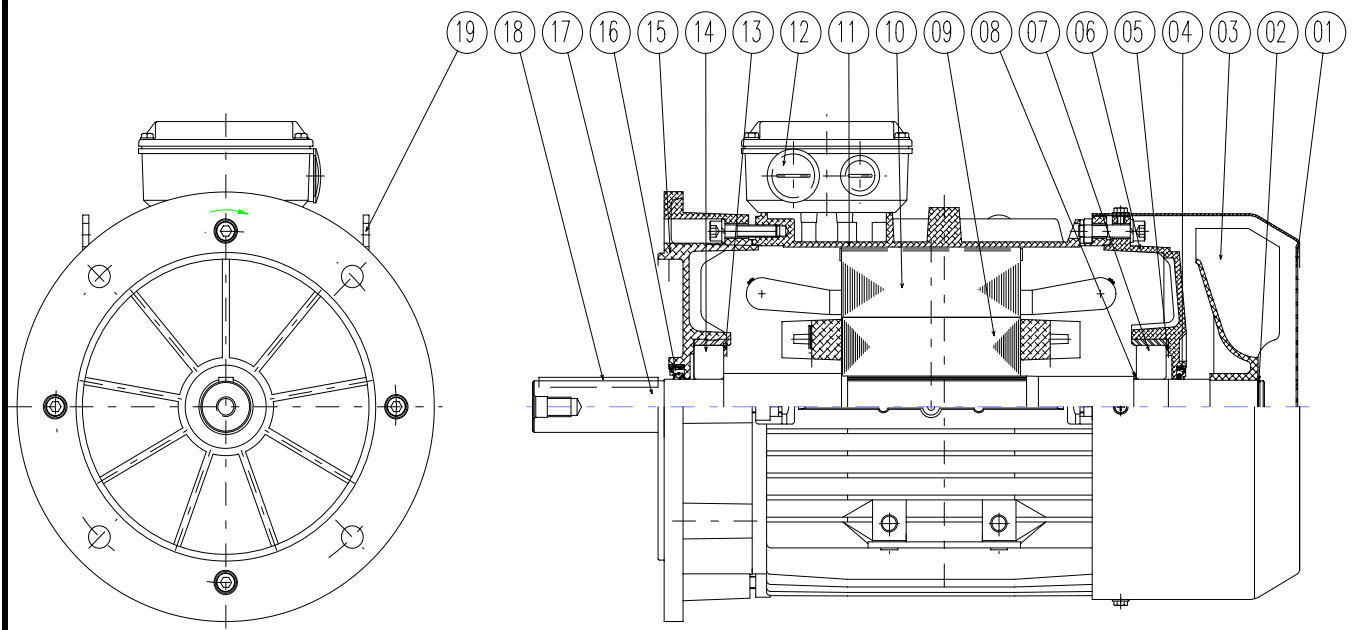
ISSUED	9-Mar-11
REVISED	9-Mar-11

SCHEMATIC DRAWING

3-PHASE INDUCTION MOTORS
B5 (IM 3001) FRAME NOS. 160

MODEL	AEGV2E
PAGE	

Totally Enclosed Fan - Cooled Type, Squirrel - Cage Rotor.



ITEM	NAME	ITEM	NAME
1	FAN COVER	11	FRAME ASSY
2	OUTSIDE RETAINING RING	12	TERMINAL BOX ASSY
3	EXTERNAL FAN	13	INSIDE RETAINING RING
4	OIL SEAL	14	BEARING
5	PRE-LOAD SPRING	15	BRACKET
6	BRACKET	16	OIL SEAL
7	BEARING	17	SHAFT
8	STOP RING-BEARING	18	KEY
9	ROTOR	19	HOOK
10	STATOR	20	

APPD.	H.C.YAN	9-Mar-11	TECO Electric & Machinery Co., Ltd. Wuxi, China	DWG NO.	32057R9213
CHKD.	SHITOU	9-Mar-11		REV. 01	3/3
DWN.	MIN K.L.	9-Mar-11			